

**PROCESSOR**  
252 SHEET 3  
**DSP AUDIO**

**RECEIVER**

**SYNTH-VCO**

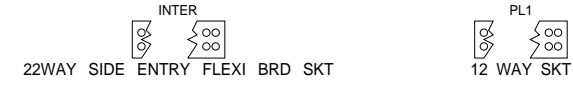
**VCO**  
sheet 6

**POWER-AMP**

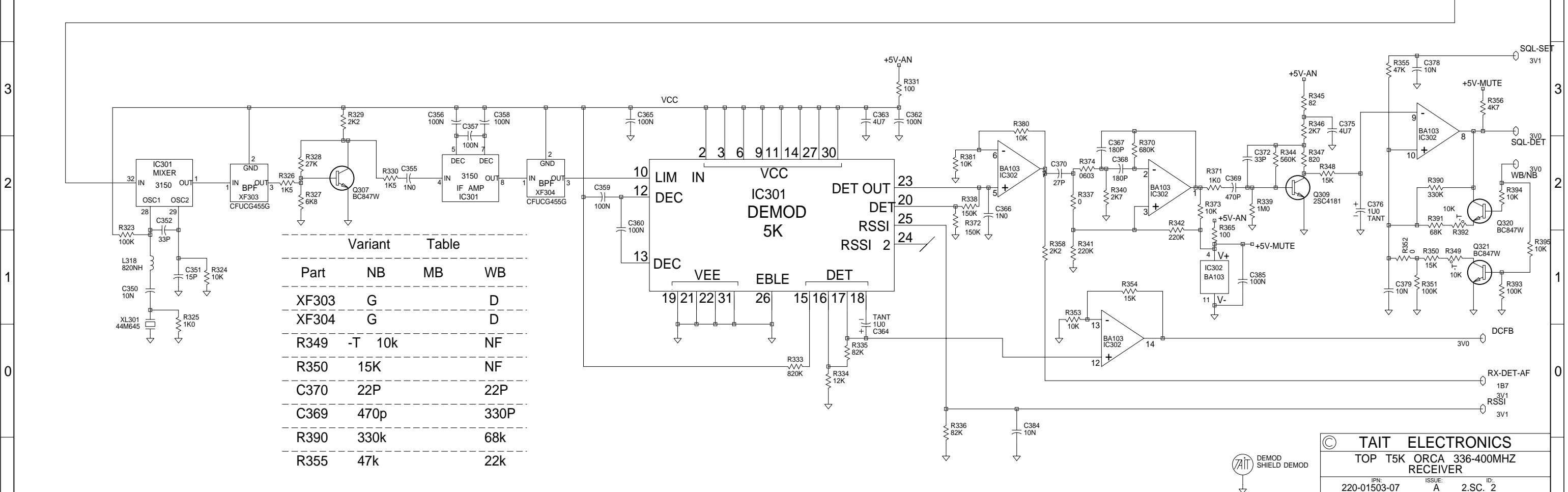
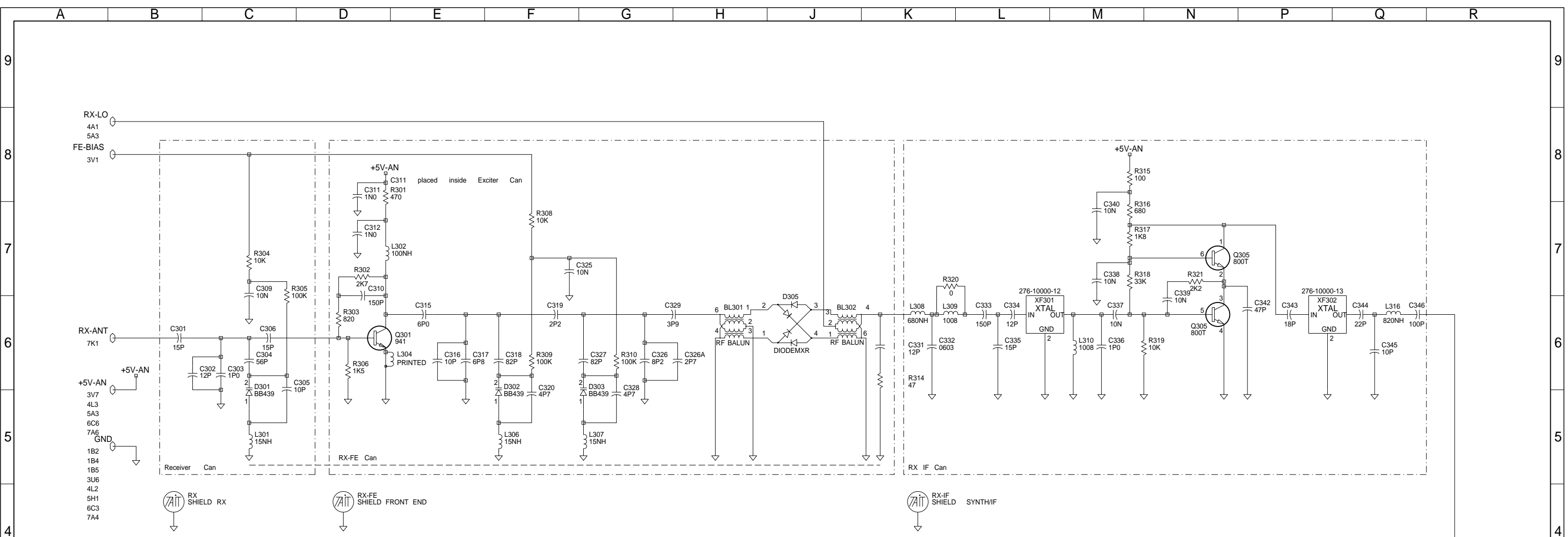
**Sub UHF**

05B	DIG SHIELD. CCO# 1503-011	CM		03/02/00		
05A	CCO NO. 1503-004/005/006/007	BRD		04/11/99		
04B	CHANGES AS PER 1503/001	BRD		20/08/99		
03B	ADJUSTED T-CU AS PER PENTEX	BRD		03-06-99		
03A	UPDATE ALC AND AFC	BRD		17-05-99		
02A	SEE NOTES FILE FOR CHANGES	BRD		10/02/99		
08	UPDATED MUTE CIRCUITRY	DBH				
REV/ISS	AMENDMENTS	DRAWN	CHKD	D.O.	APVD	DATE

07A	COMP OBSOLESCENCE CCO.1503-013	BRD		03-11-00
06A	COMPONENT OBS. CCO NO. 1503-012	BRD		06-04-00

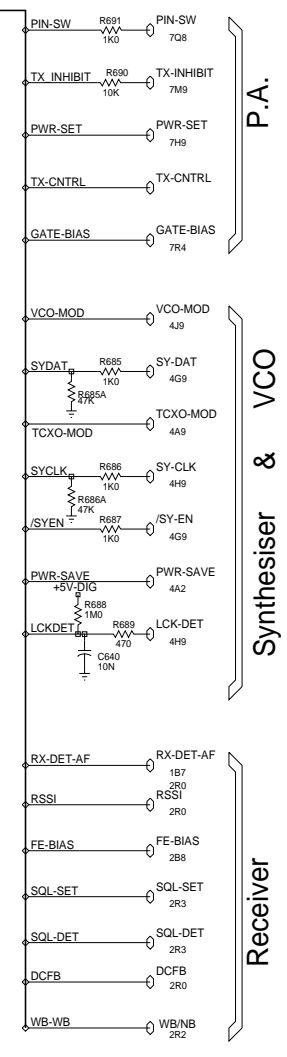
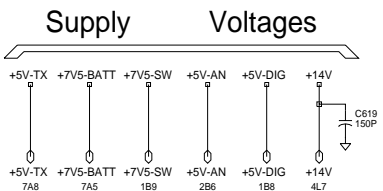
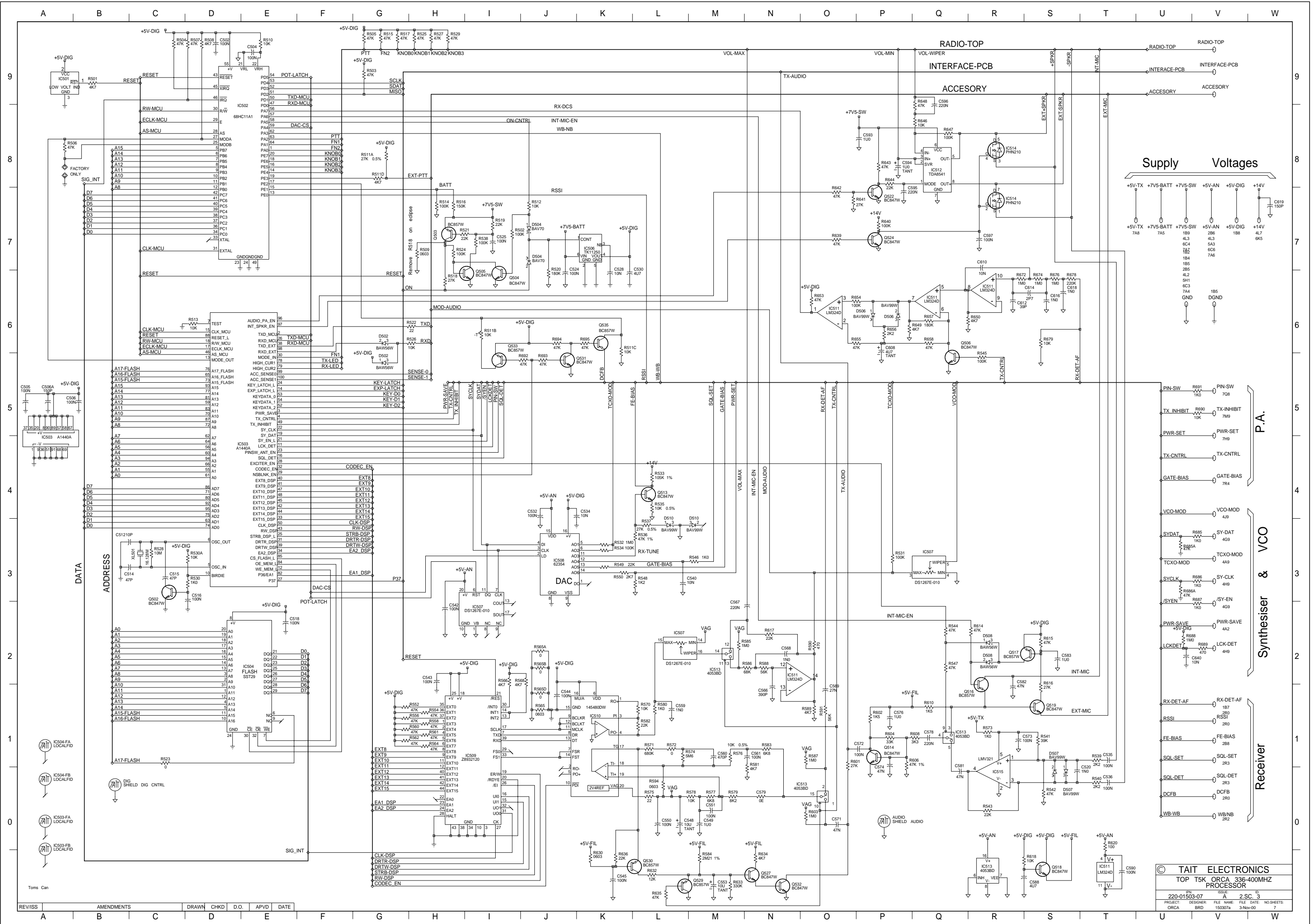


© TAIT ELECTRONICS			
TOP T5K ORCA 336-400MHZ SYSTEM DIAGRAM			
IPN: 220-01503-07	ISSUE: A	ID: 2.S.C. 1	
PROJECT: ORCA	DESIGNER: BRD	FILE NAME: 150307a	FILE DATE: 3-Nov-00
		NO SHEETS: 7	



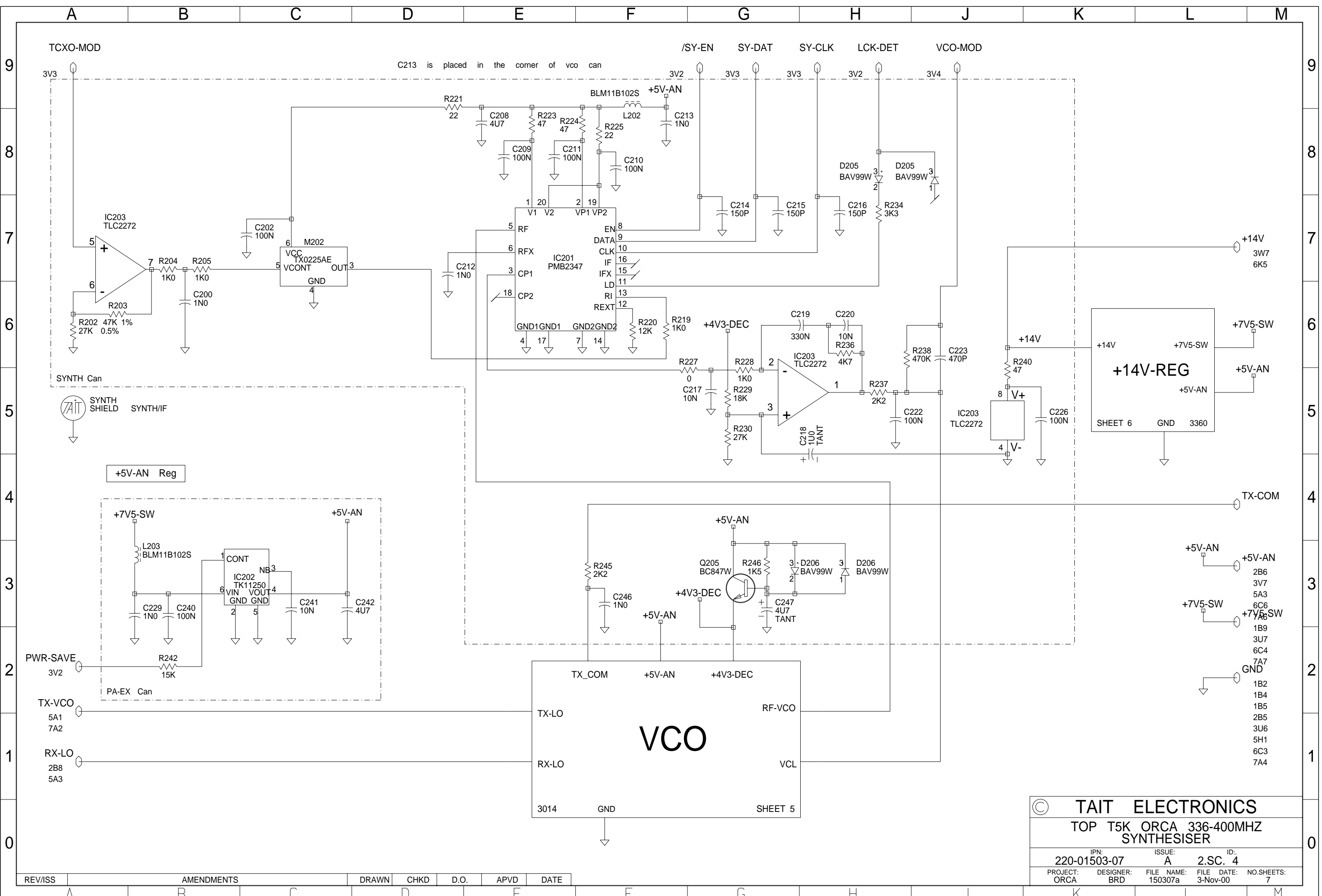
REV/ISS	AMENDMENTS	DRAWN	CHKD	D.O.	APVD	DATE
A						

© TAIT ELECTRONICS  
 TOP T5K ORCA 336-400MHZ RECEIVER  
 IPN: 220-01503-07    ISSUE: A    ID: 2.S.C. 2  
 PROJECT: ORCA    DESIGNER: BRD    FILE NAME: 150307a    DATE: 3-Nov-00    NO.SHEETS: 7



© TAIT ELECTRONICS  
 TOP T5K ORCA 336-400MHZ  
 PROCESSOR  
 220-01503-07  
 ORCA BRD 150307A 3-Nov-00

REV/ISS	AMENDMENTS	DRAWN	CHKD	D.O.	APVD	DATE
A						



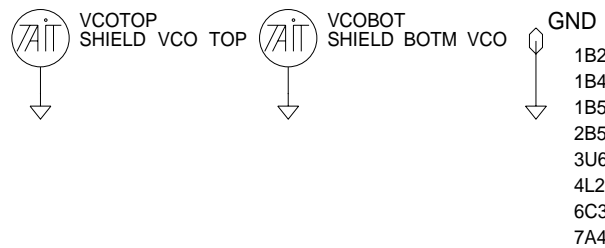
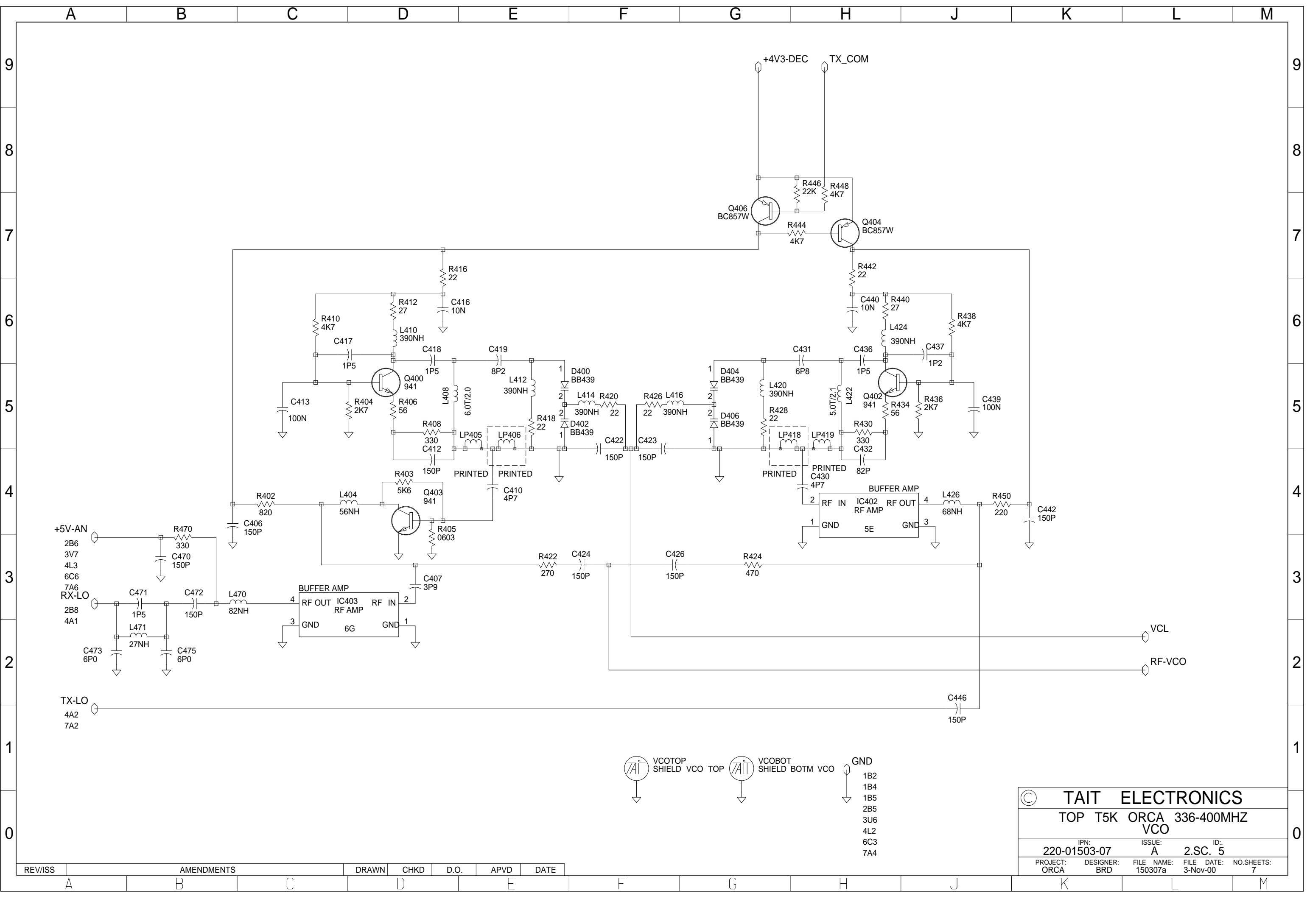
C213 is placed in the corner of vco can

**+14V-REG**  
SHEET 6  
GND 3360

**VCO**  
SHEET 5  
3014 GND

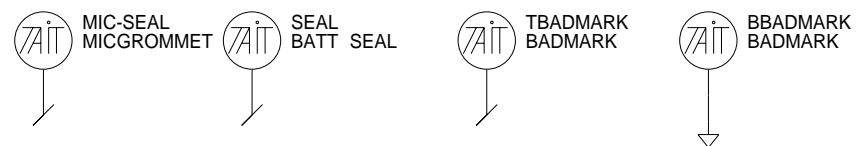
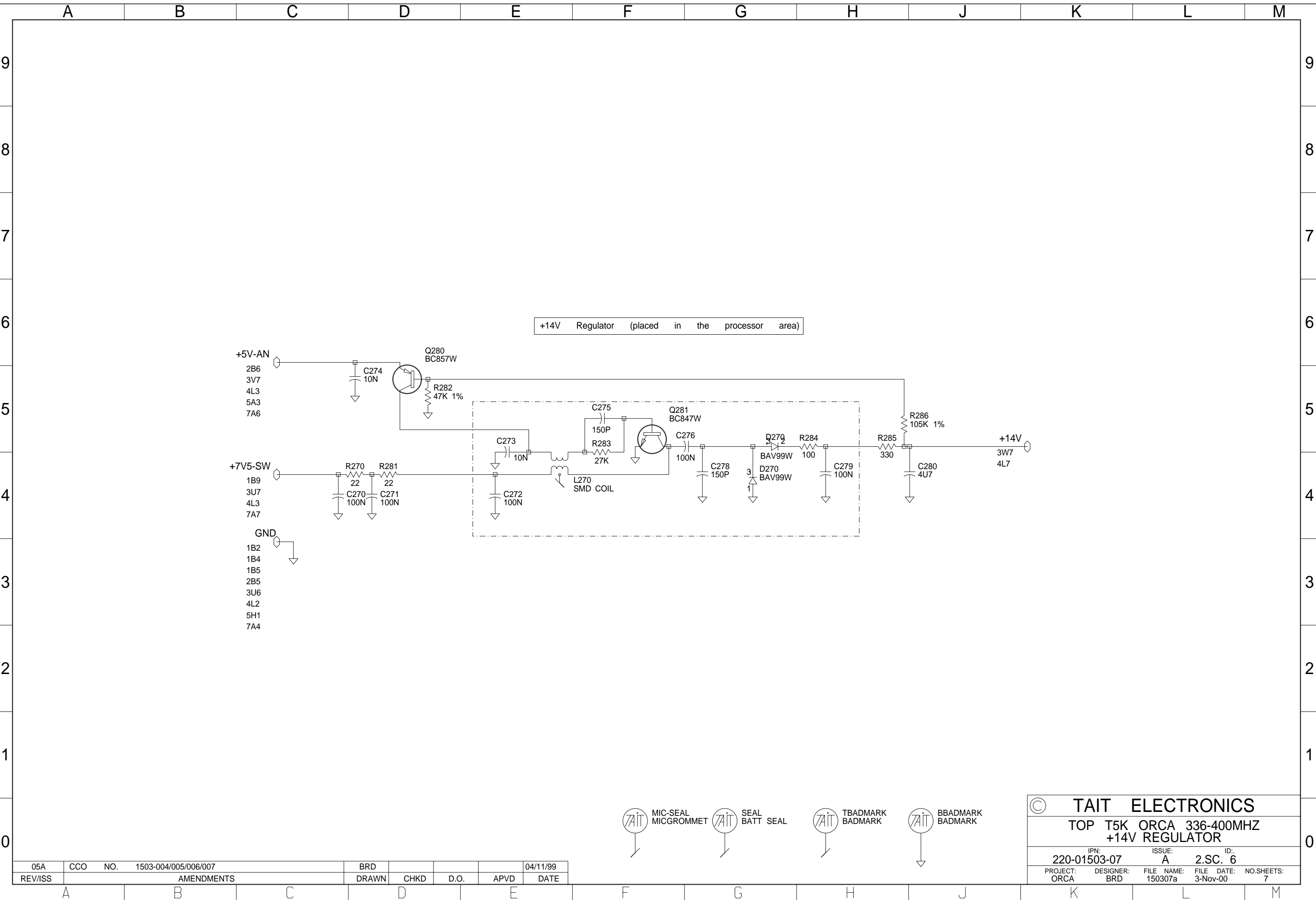
© **TAIT ELECTRONICS**  
**TOP T5K ORCA 336-400MHZ SYNTHESISER**  
 IPN: 220-01503-07 ISSUE: A ID: 2.SC. 4  
 PROJECT: ORCA DESIGNER: BRD FILE NAME: 150307a FILE DATE: 3-Nov-00 NO.SHEETS: 7

REV/ISS	AMENDMENTS	DRAWN	CHKD	D.O.	APVD	DATE



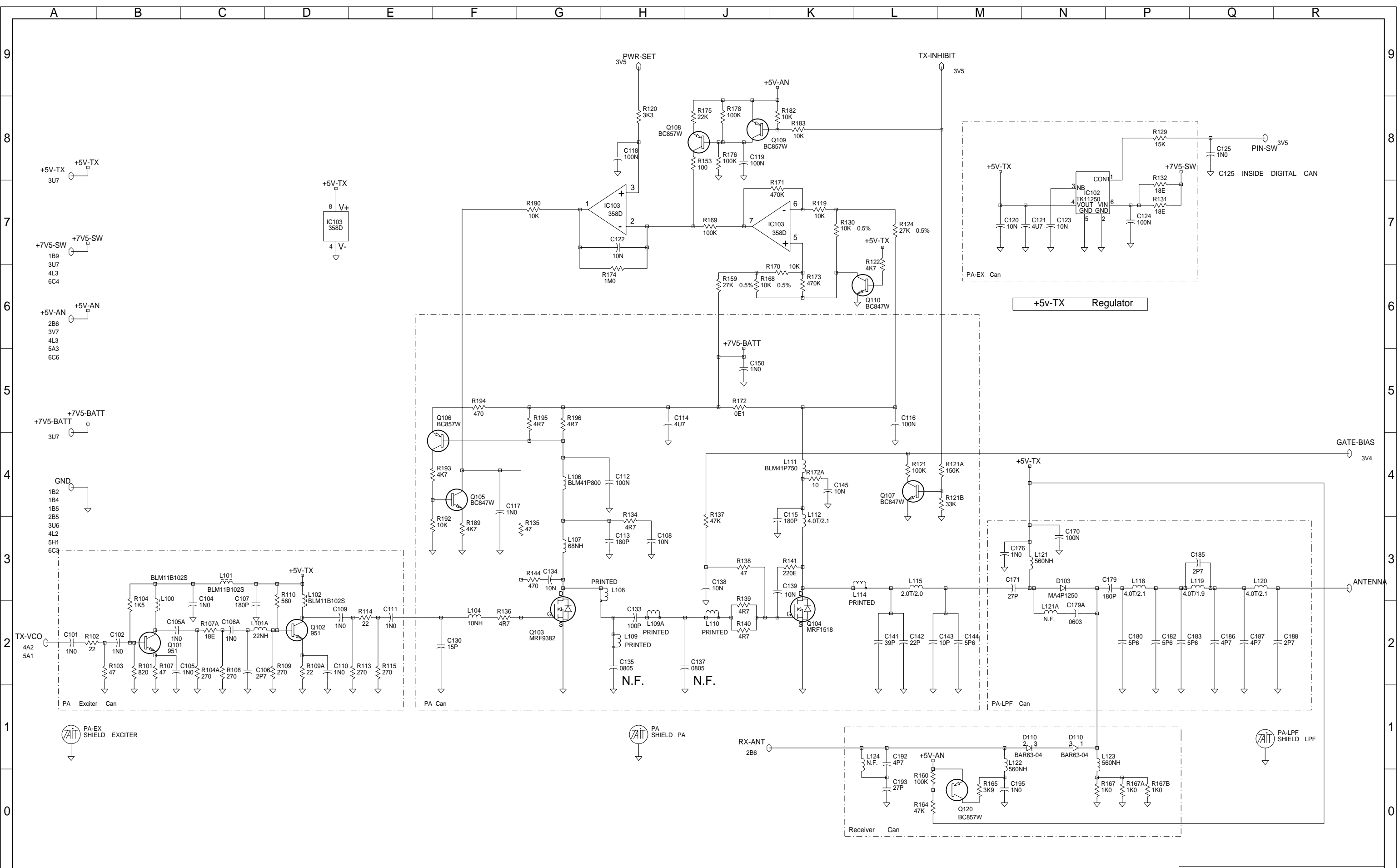
© TAIT ELECTRONICS				
TOP T5K ORCA 336-400MHZ VCO				
IPN:	ISSUE:	ID:		
220-01503-07	A	2.SC. 5		
PROJECT:	DESIGNER:	FILE NAME:	FILE DATE:	NO.SHEETS:
ORCA	BRD	150307a	3-Nov-00	7

REV/ISS	AMENDMENTS	DRAWN	CHKD	D.O.	APVD	DATE



© TAIT ELECTRONICS				
TOP T5K ORCA 336-400MHZ +14V REGULATOR				
IPN:	ISSUE:	ID:		
220-01503-07	A	2.SC. 6		
PROJECT:	DESIGNER:	FILE NAME:	FILE DATE:	NO.SHEETS:
ORCA	BRD	150307a	3-Nov-00	7

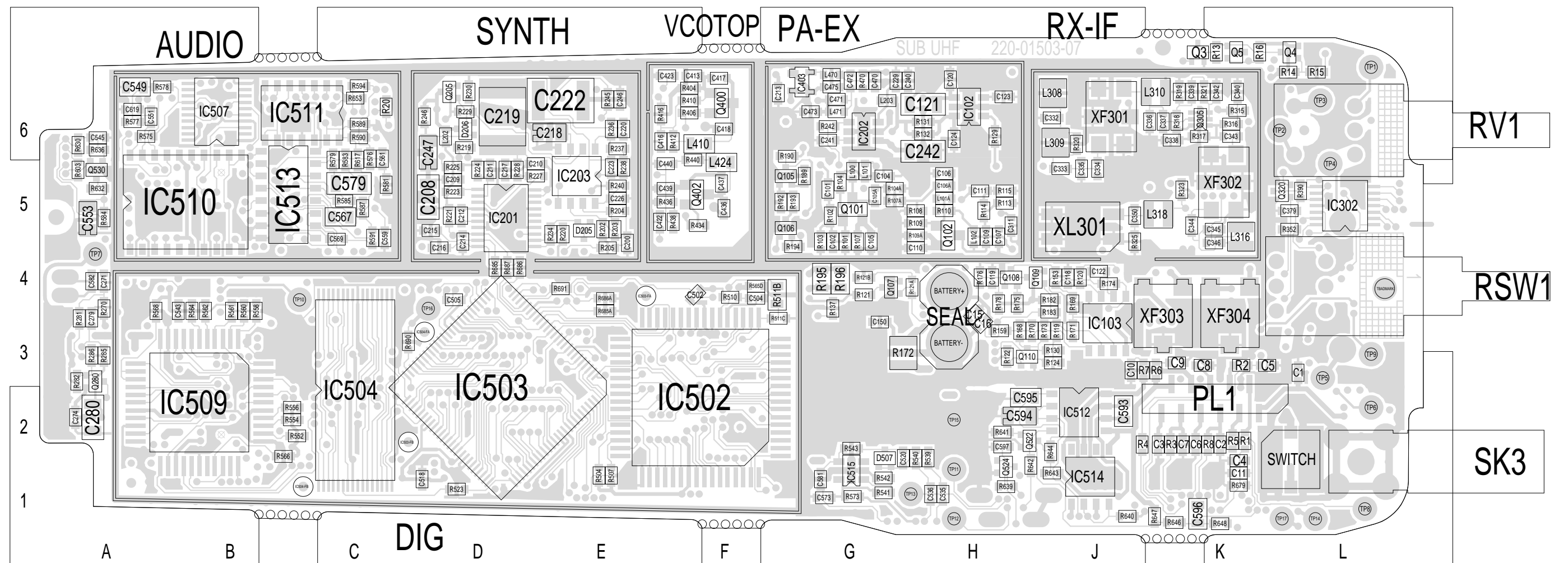
05A	CCO	NO.	1503-004/005/006/007	BRD				04/11/99
REV/ISS	AMENDMENTS			DRAWN	CHKD	D.O.	APVD	DATE



© TAIT ELECTRONICS  
 TOP T5K ORCA 336-400MHZ  
 LOWCOST T3010

IPN: 220-01503-07	ISSUE: A	ID: 2.S.C. 7
PROJECT: ORCA	DESIGNER: BRD	FILE NAME: 150307a
FILE DATE: 3-Nov-00	NO. SHEETS: 7	

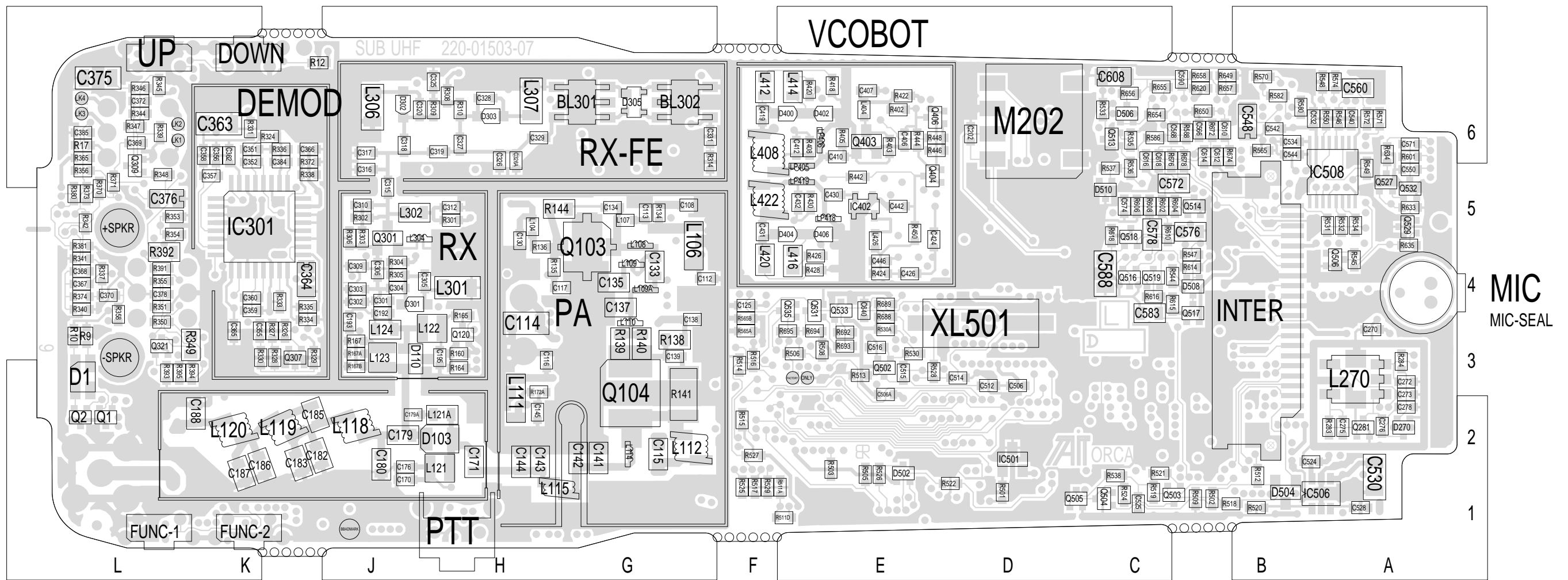
REV/ISS	AMENDMENTS	DRAWN	CHKD	D.O.	APVD	DATE
A						



TAIT ELECTRONICS IPN: 220-01503-07 ISS: A ID: 1.TA DATE: 3 Nov 2000  
 SUB UHF PCB LAYOUT - TOP SIDE

Scale:2.3:1 ; Rotation: 0 degrees





TAIT ELECTRONICS IPN: 220-01503-07 ISS: A ID: 6.BA DATE: 3 Nov 2000  
 SUB UHF PCB LAYOUT - BOTTOM SIDE

Scale: 2.3:1 ; Rotation: 0 degrees